

F

E

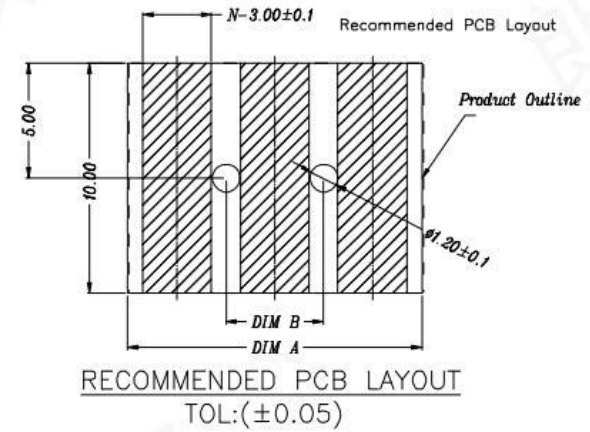
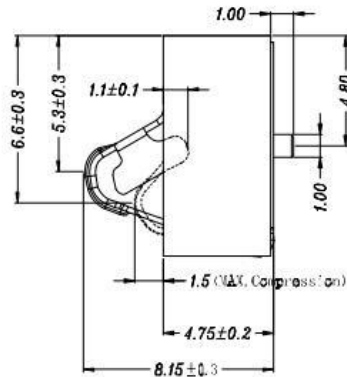
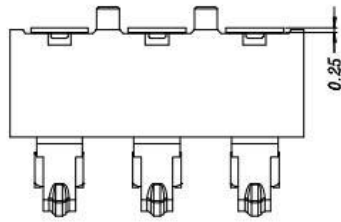
D

C

B

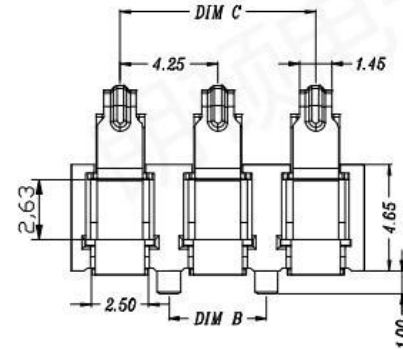
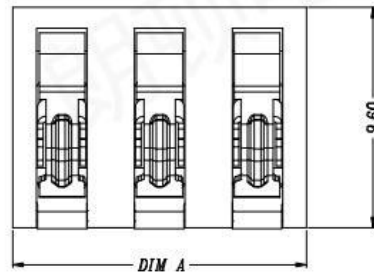
A

1



2

3



PIN(N)	PART NO.	DIM A	DIM B	DIM C
3Pin	BC-1-331A	12.75	4.25	8.5
4Pin	BC-1-418A	17.0	8.5	12.75
5Pin	BC-1-506A	21.25	12.75	17.0
6Pin	BC-1-607A	25.5	17.0	21.25

性能:

额定电流: 5.0A

额定电压: 30V

耐电压: 500V

接触电阻: 50mΩ Max

绝缘电阻: 500MΩ Min

工作温度: -40℃~+85℃

塑件(材质): LCP

接触点(材质): 磷铜, 触点镀金3U"

使用寿命: 5000次以上

4

2	HOUSING	LCP	1	BLACK
1	CONTACT TERMINAL	PHOSPHOR BRONZE	3	Au PLATED
NO.	PARTS	MATERIAL	QTY.	FINISHING

东莞市朗顿电子科技有限公司

PART NAME	CONNECTOR		DRAWING	G.B.Wu	DWG.No.	DS-BC-136
PART NO.	BC-1-331A/418A/506A/607A		CHECK	Q.L.Dai	REV.	A0
UNIT: mm	TOLERANCE	UP TO 5 ABOVE 5~30 ABOVE 30	APPROVAL	SCALE	DATE	29-03-2023
	OTHERWISE	±0.2 ±0.3 ±0.5 ±3°			ANGLE	PAGE

COPYRIGHT RESERVED, PLEASE DO NOT COPY.

F

E

D

C

B

A

1

2

3

4