

F

E

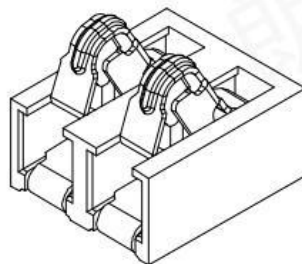
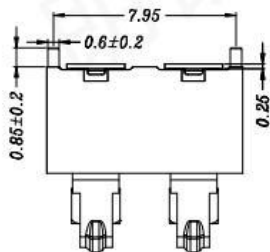
D

C

B

A

1



性能:

额定电流: 5.0A

额定电压: 30V

耐电压: 500V

接触电阻: 50mΩ Max

绝缘电阻: 500MΩ Min

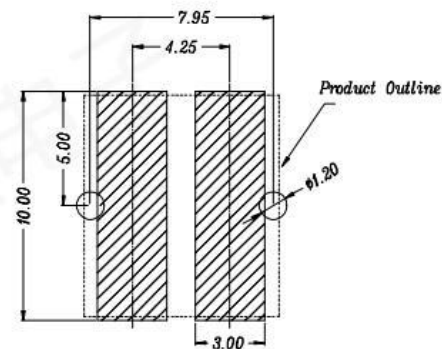
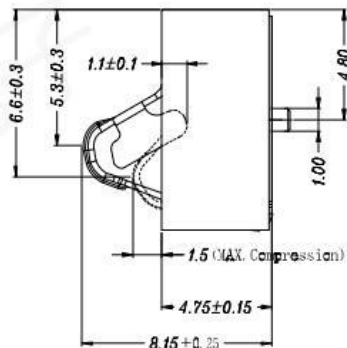
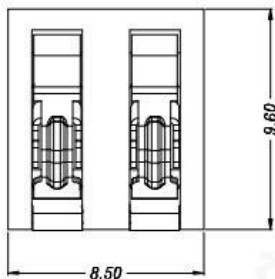
工作温度: -40℃~+85℃

塑件(材质): LCP

接触点(材质): 磷铜, 触点镀金3U"

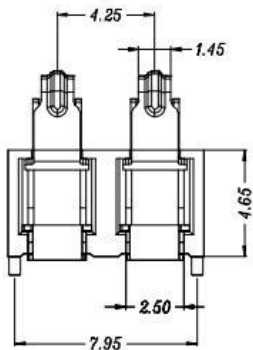
使用寿命: 5000次以上

2



RECOMMENDED PCB LAYOUT
TOL:(±0.05)

3



4

2	HOUSING	LCP	1	BLACK
1	CONTACT TERMINAL	PHOSPHOR BRONZE	3	Au PLATED
NO.	PARTS	MATERIAL	QTY.	FINISHING

东莞市朗顿电子科技有限公司

COPYRIGHT RESERVED, PLEASE DO NOT COPY.

PART NAME		CONNECTOR		DRAWING	G.B.Wu	DWG.No.	DS-BC-173
PART NO.		BC-1-212A		CHECK	Q.L.Dai	REV.	A0
UNIT :	TOLERANCE	UP TO 5	±0.2	ANGLE	APPROVAL	DATE	15-03-2023
		mm	OTHERWISE				

F

E

D

C

B

A