

F

E

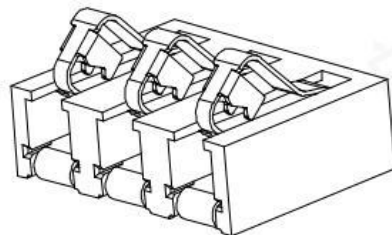
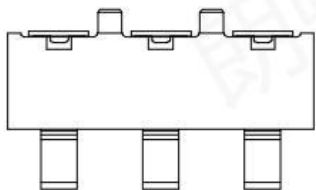
D

C

B

A

1



性能:

额定电流: 5.0A

额定电压: 30V

耐电压: 500V

接触电阻: 30mΩ Max

绝缘电阻: 500MΩ Min

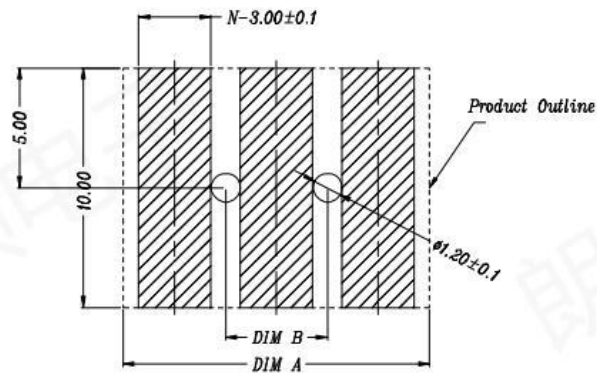
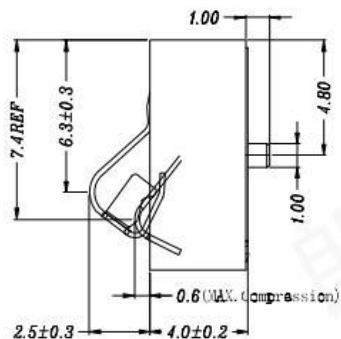
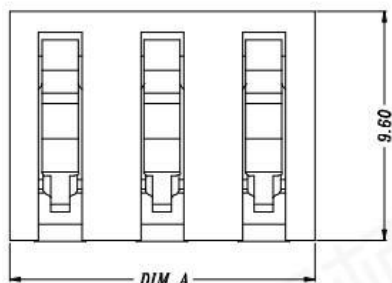
工作温度: -40℃~+85℃

塑件(材质): LCP

接触点(材质): 磷铜, 触点镀金3U"

使用寿命: 5000次以上

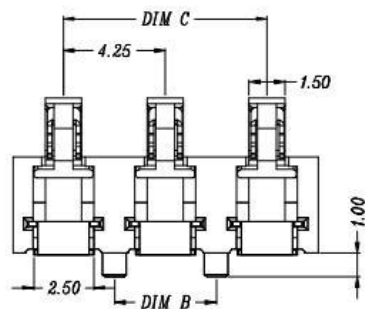
2



RECOMMENDED PCB LAYOUT

TOL:(±0.05)

3



4

PIN(N)	PART NO.	DIM A	DIM B	DIM C
3Pin	BC-1-329A	12.75	4.25	8.5
4Pin	BC-1-404A	17.0	8.5	12.75
5Pin	BC-1-504A	21.25	12.75	17.0
6Pin	BC-1-602A	25.5	17.0	21.25

2	HOUSING	LCP	1	BLACK
1	CONTACT TERMINAL	PHOSPHOR BRONZE	3	Au PLATED
NO.	PARTS	MATERIAL	QTY.	FINISHING

东莞市朗顿电子科技有限公司

COPYRIGHT RESERVED, PLEASE DO NOT COPY.

PART NAME	CONNECTOR		DRAWING	G.B.Wu	DWG.No.	DS-BC-106
PART NO.	BC-1-329A 404A 504A 602A		CHECK	Q.L.Dai	REV.	A0
UNIT : mm	TOLERANCE	UP TO 5	±0.2	ANGLE	APPROVAL	DATE
	OTHERWISE	ABOVE 5 ~ 30	±0.3	0°±3'	SCALE	15-08-2017
		ABOVE 30	±0.5			PAGE
		ANGLE	±3'			1 OF 1

F

E

D

C

B

A

4